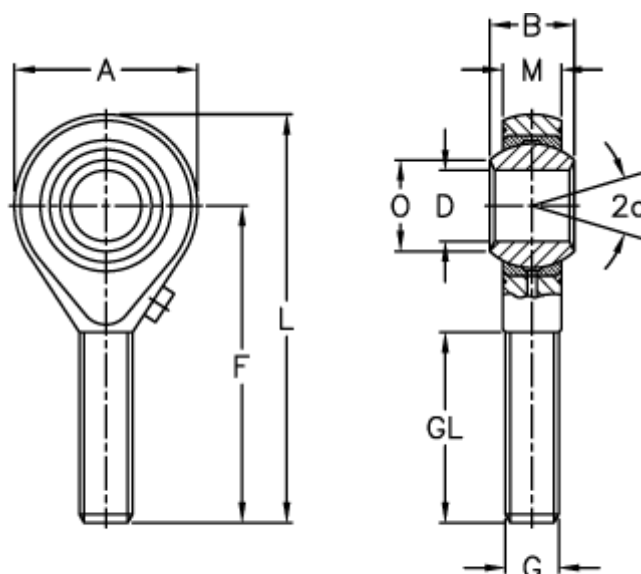


Article number: 03004002

Description: Fluro Rod End GAS 2
Zinc Plated

Measures



Str. 2-5 uden smørenippel

A	= 9	L	= 24.5
a (degrees)	= 16	M	= 3.6
B	= 5	O	= 2.6
D	= 2	Permissible rpm	= Ikke velegnet til rotation
Dynamic load C (kN)	= 1.1	Static load C0 (kN)	= 0.6
F	= 20	Weight (g)	= 3
g	= M2		
GL	= 12		